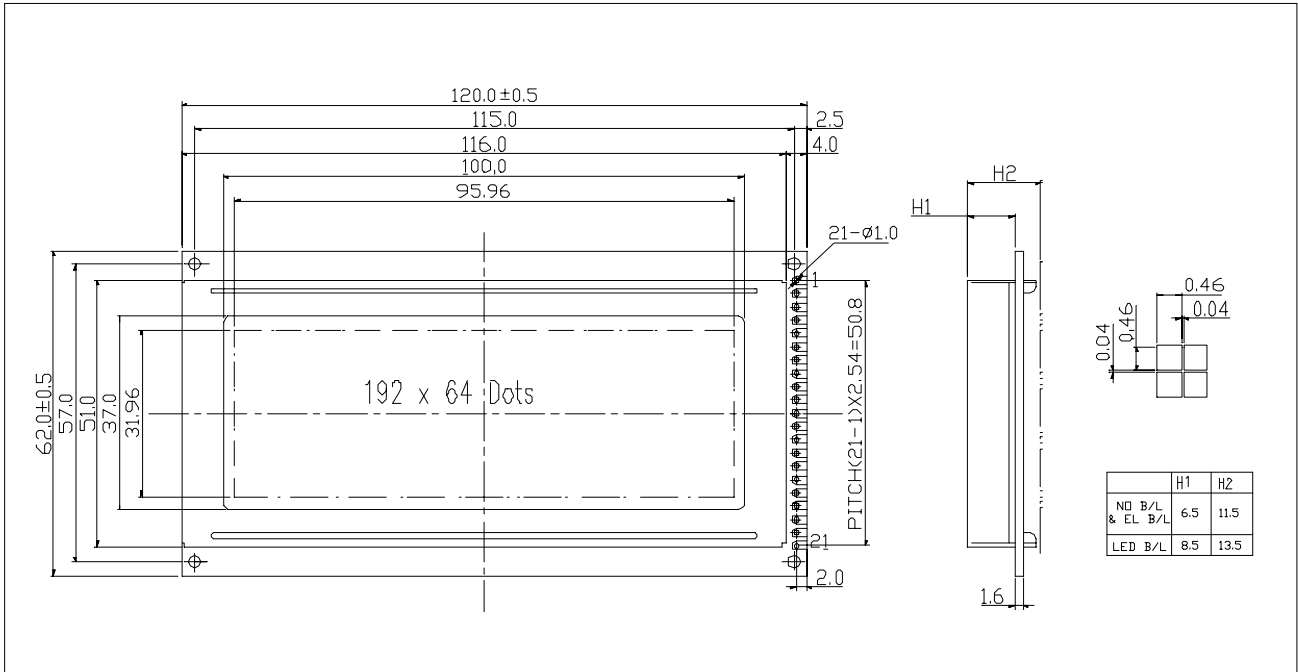
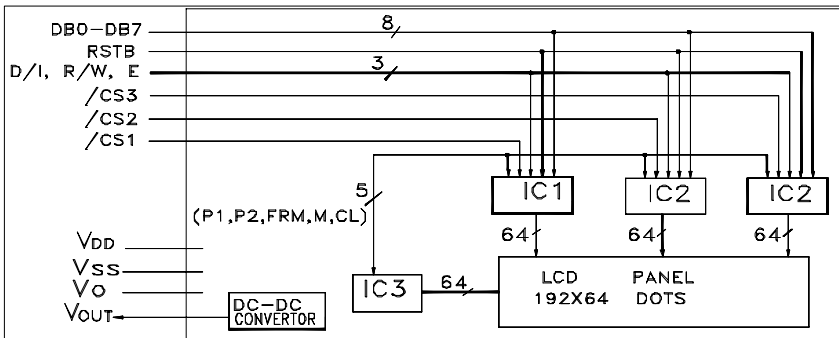




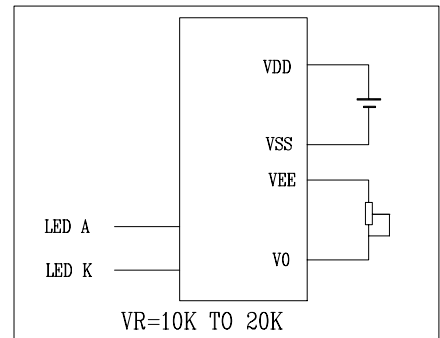
**External Dimensions**



**Block Diagram**



**Power Supply**



**Interface Signals---- J1**

Pin	Symbol	Level	Description	Pin	Symbol	Level	Description
1	VSS	0V	Ground	8~15	DB0~DB7	H/L	Data Bus Line
2	VDD	+5V	Supply Voltage for Logic	16	CS1	H/L	Chip Selection for IC1
3	V0	--	Operating Voltage for LCD	17	CS2	H/L	Chip Selection for IC2
4	VEE	--	Negative Voltage Output	18	CS3	H/L	Chip Selection for IC3
5	RS	H/L	H: Data Input L: Instruction Code Input	19	RST	L	Reset
6	R/W	H/L	H: Data Read L: Data Write	20~21	LED	--	A:+5V K:0V
7	E	H,H-L	Enable Signal				

**Mechanical Specifications**

**Electrical Specifications**

Item	Description(mm)	Item	Symbol	Min	Typ	Max	Unit
Size	120(L)x62(W)x13.5(H)	Supply Voltage for Logic	VDD	4.5	5.0	5.5	V
V.A	100(L)x37(W)	Supply Voltage for LCD	VLCD	11.0	11.5	12.0	V
Dot Pitch	0.50x0.50	Supply Current for Logic	IDD		1.0	3.0	mA
Dot Size	0.46x0.46	Supply Current for LED	IF			510	mA