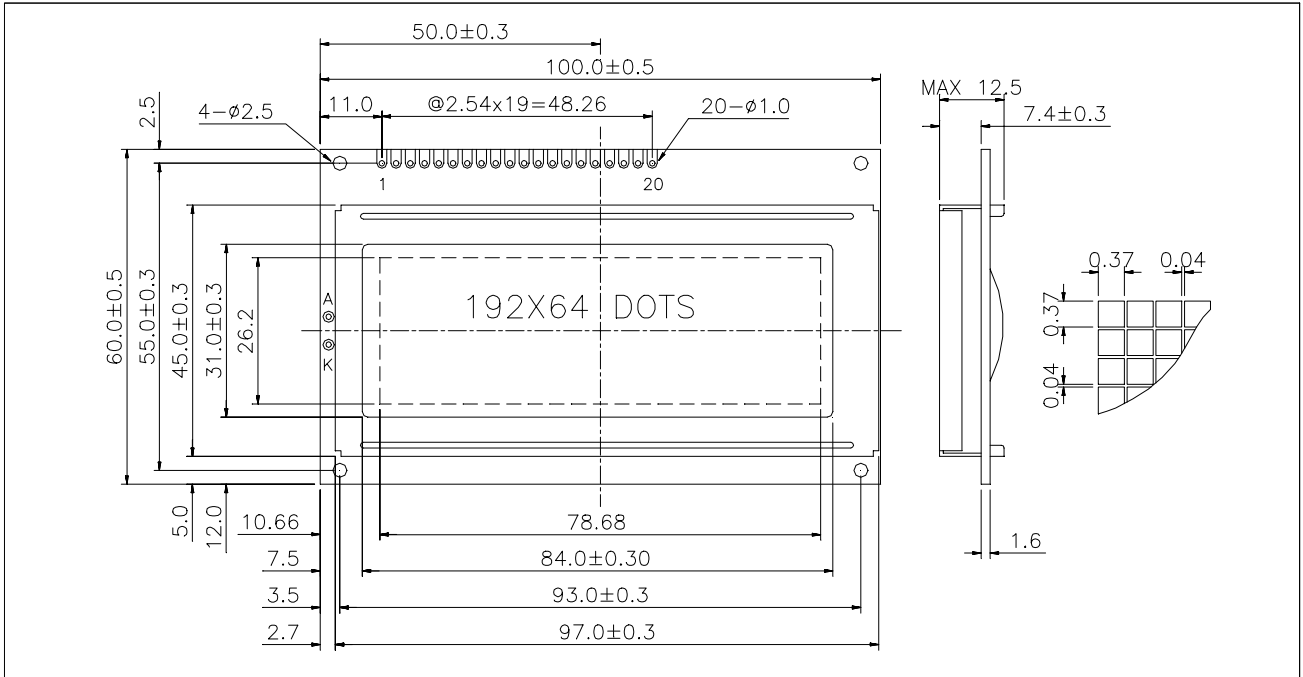


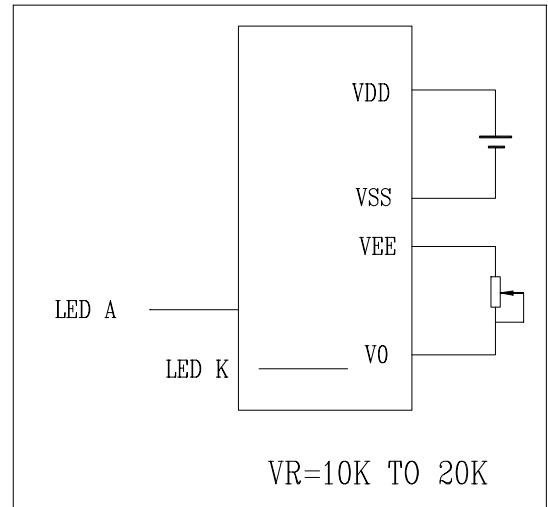
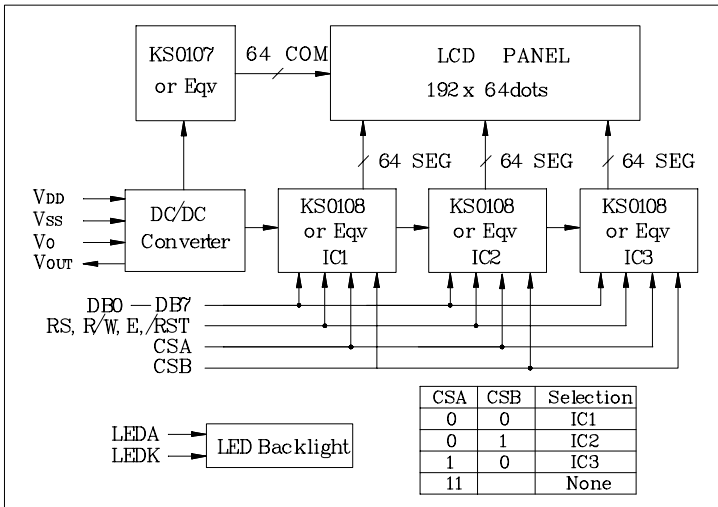


External Dimensions



Block Diagram

Power Supply



Interface Signals---- J1

Pin	Symbol	Level	Description	Pin	Symbol	Level	Description
1~8	DB7~DB0	H/L	Data Bus Line	14	VSS	0V	GND
9	E	H,H/L	Enable signal	15	CS1	H/L	Chip Selection for IC2
10	R/W	H/L	H: Data Read L: Data Write	16	CS2	H/L	Chip Selection for IC2
11	RS	H/L	H: Data Input L: Instruction Code Input	17	VEE	--	Negative Voltage Output
12	V0	--	Operating Voltage for LCD	18	RST	L	Reset
13	VDD	+5V	Supply Voltage for Logic	19~20	LED(A,K)	--	Power supply for LED backlight

Mechanical Specifications

Electrical Specifications

Item	Description(mm)	Item	Symbol	Min	Typ	Max	Unit
Size	100(L)x60(W)x12.5(H)	Supply Voltage for Logic	VDD	4.5	5.0	5.5	V
V.A	84(L)x31(W)	Supply Voltage for LCD	VLCD	11.0	11.5	12.0	V
Dot Pitch	0.41x0.41	Supply Current for Logic	IDD		1.0	3.0	mA
Dot Size	0.37x0.37	Supply Current for LED	IF			510	mA