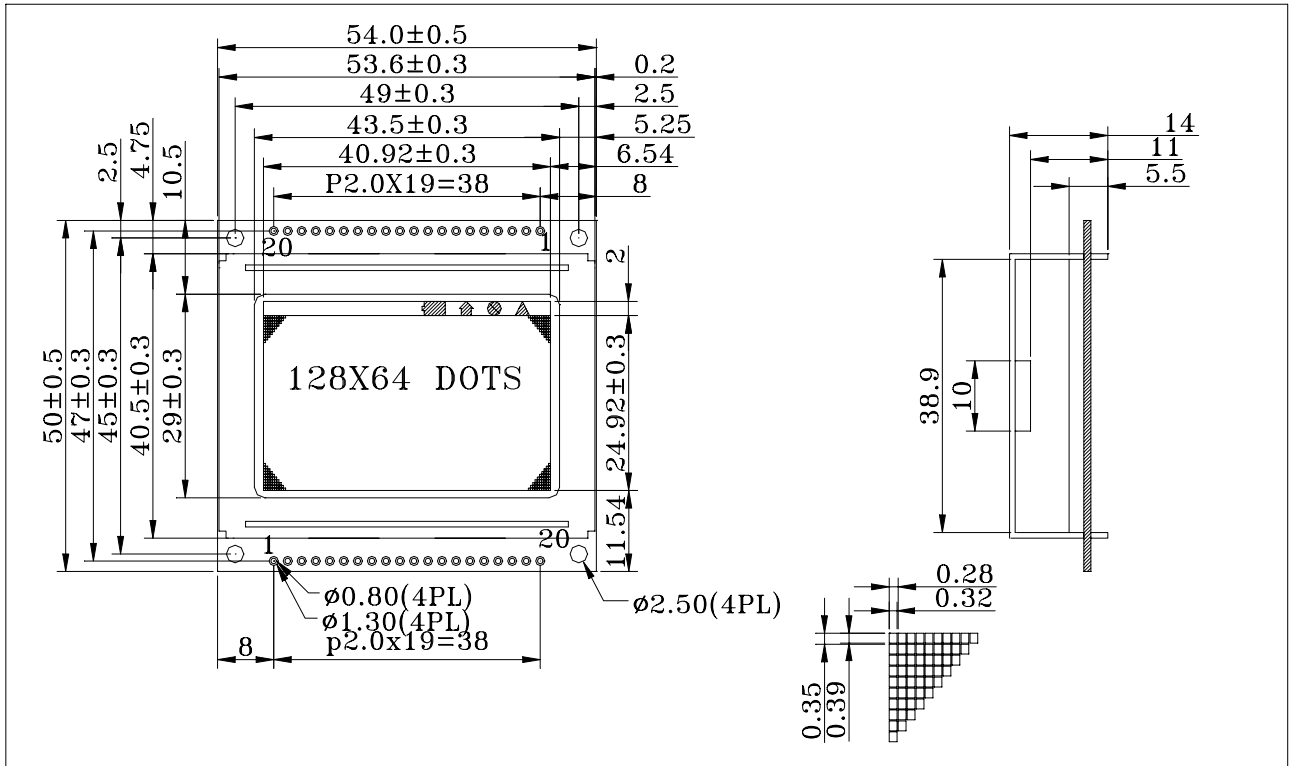
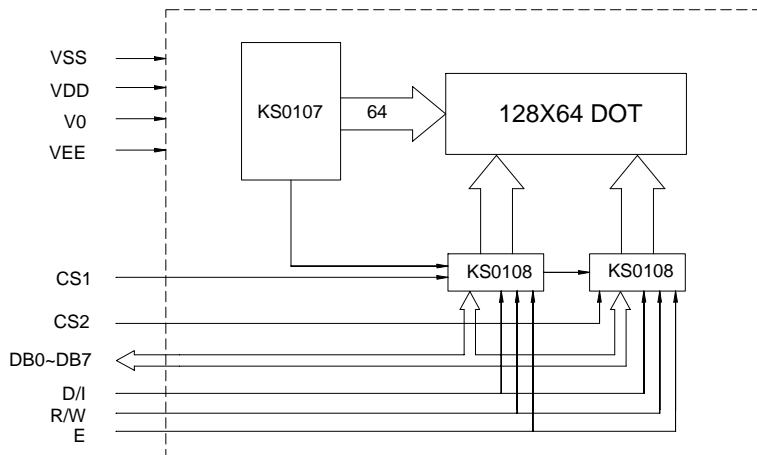




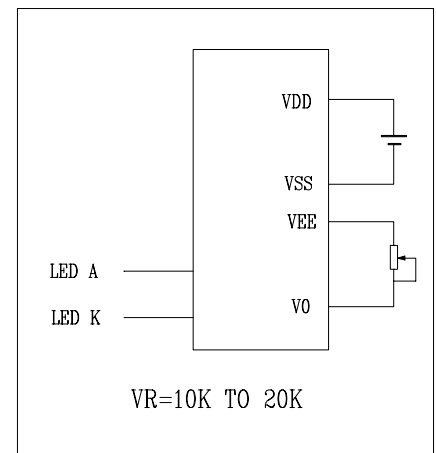
External Dimensions



Block Diagram



Power Supply



Interface Signals---- J1

Pin	Symbol	Level	Description	Pin	Symbol	Level	Description
1	VSS	0V	Ground	7~14	DB0~DB7	H/L	Data Bus Line
2	VDD	+5V	Supply Voltage for Logic	15	CS1	H	Chip Selection for IC1
3	V0	--	Operating Voltage for LCD	16	CS2	H	Chip Selection for IC2
4	D/I	H/L	H: Data Input L: Instruction Code Input	17	RST	L	Reset
5	R/W	H/L	H: Data Read L: Data Write	18	VEE	--	Negative Voltage Output
6	E	H,H-L	Enable Signal	19~20	LED	--	A:+5V K:0V

Mechanical Specifications

Electrical Specifications

Item	Description(mm)	Item	Symbol	Min	Typ	Max	Unit
Size	54(L)x50(W)x14(H)	Supply Voltage for Logic	VDD	4.5	5.0	5.5	V
V.A	43.5(L)x29(W)	Supply Voltage for LCD	VLCD	11.0	11.5	12.0	V
Dot Pitch	0.32x0.39	Supply Current for Logic	IDD		1.0	3.0	mA
Dot Size	0.28x0.35	Supply Current for LED	IF			300	mA