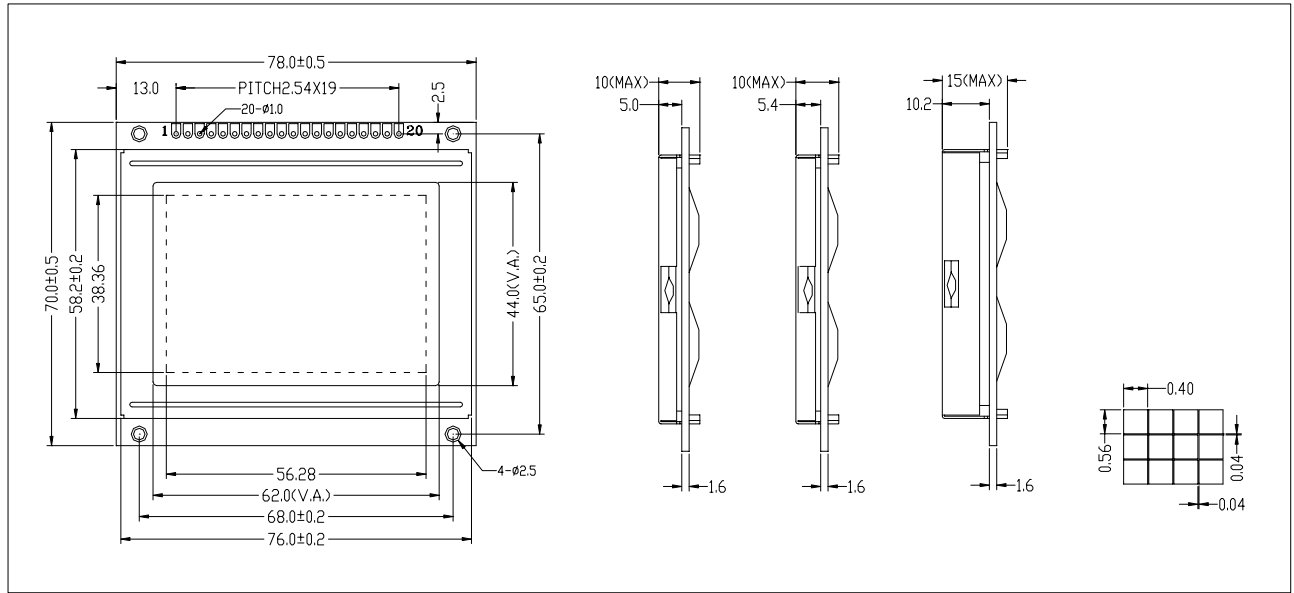
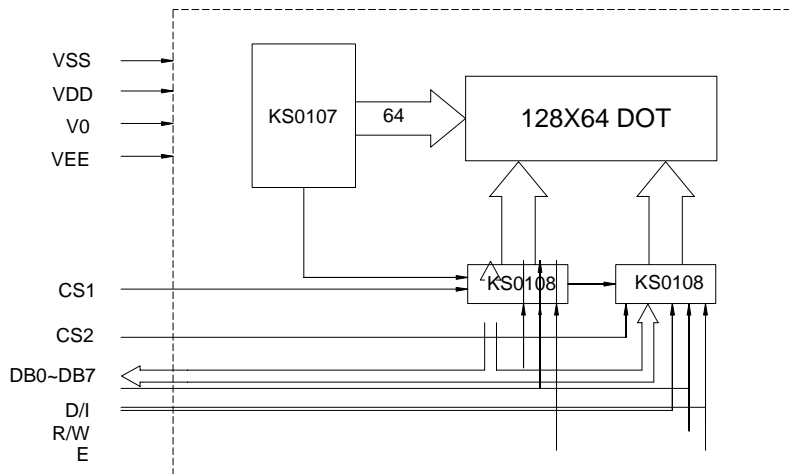




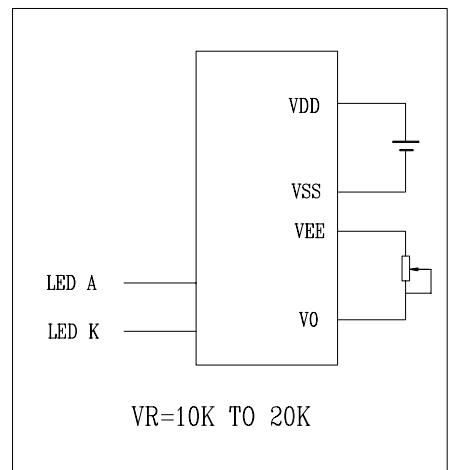
External Dimensions



Block Diagram



Power Supply



Interface Signals---- J1

Pin	Symbol	Level	Description	Pin	Symbol	Level	Description
1	CS1	H	Chip Selection for IC1	7	R/W	H/L	H: Data Read L: Data Write
2	CS2	H	Chip Selection for IC2	8	E	H,H-L	Enable Signal
3	VSS	0V	Ground	9~16	DB0~DB7	H/L	Data Bus Line
4	VDD	+5V	Supply Voltage for Logic	17	RST	L	Reset
5	V0	--	Operating Voltage for LCD	18	VEE	--	Negative Voltage Output
6	D/I	H/L	H: Data Input L: Instruction Code Input	19~20	LED	--	A:+5V K:0V

Mechanical Specifications

Electrical Specifications

Item	Description(mm)	Item	Symbol	Min	Typ	Max	Unit
Size	78(L)x70(W)x15.0(H)	Supply Voltage for Logic	VDD	4.5	5.0	5.5	V
V.A	62.0(L)x44.0(W)	Supply Voltage for LCD	VLCD	10.0	10.5	11.0	V
Dot Pitch	0.44x0.60	Supply Current for Logic	IDD		1.0	3.0	mA
Dot Size	0.40x0.56	Supply Current for LED	IF			300	mA