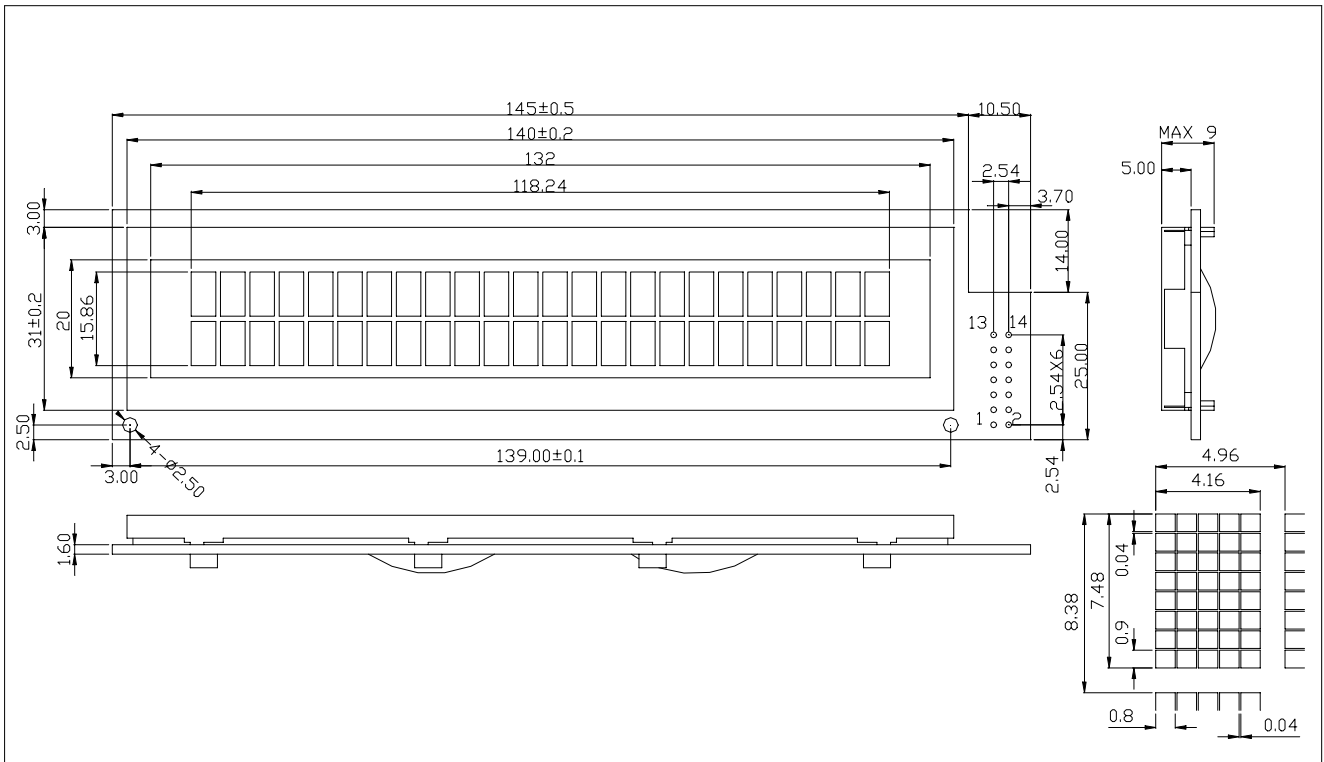
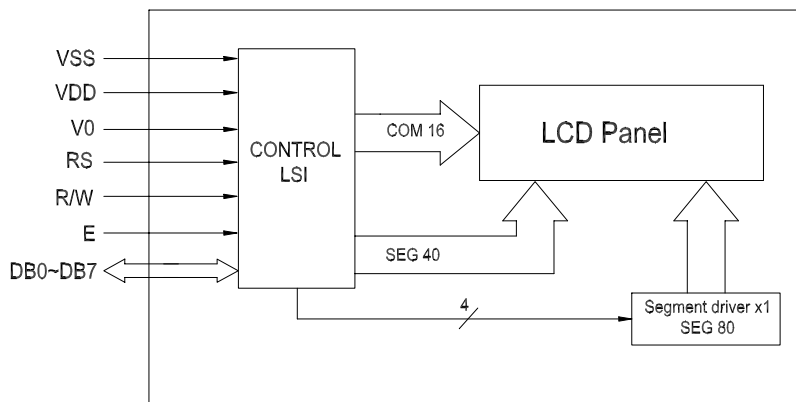




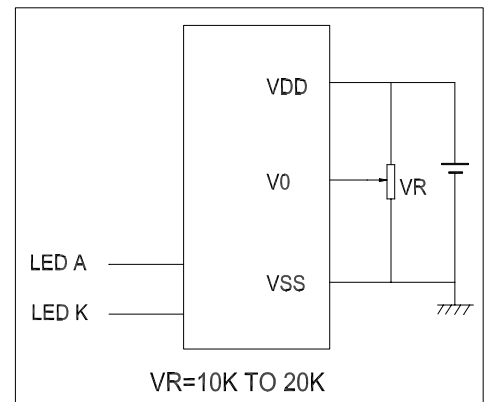
External Dimensions



Block Diagram



Power Supply



Interface Signals---- J1

Pin	Symbol	Level	Description	Pin	Symbol	Level	Description
1	VSS	0V	Ground	7~14	DB0~DB7	H/L	Data Bus Line
2	VDD	+5V	Supply Voltage for Logic	15	A	--	Back Light anode:+4.2V
3	V0	--	Operating Voltage for LCD	16	K	--	Back Light cathode:0V
4	R/S	H/L	H: Data L: Instruction Code				
5	R/W	H/L	H: Data Read L: Data Write				
6	E	H,H-L	Enable Signal				

Mechanical Specifications

Electrical Specifications

Item	Description(mm)	Item	Symbol	Min	Typ	Max	Unit
Size	155.5(L)x39(W)x9.0(H)	Supply Voltage for Logic	VDD	4.5	5.0	5.5	V
V.A	132(L)x20(W)	Supply Voltage for LCD	VLCD	4.0	4.5	5.0	V
Character Pitch	4.96 x 8.38	Supply Current for Logic	IDD		1.0	2.0	mA
Dot Size	0.8*0.9	Supply Current for LED	IF			80	mA